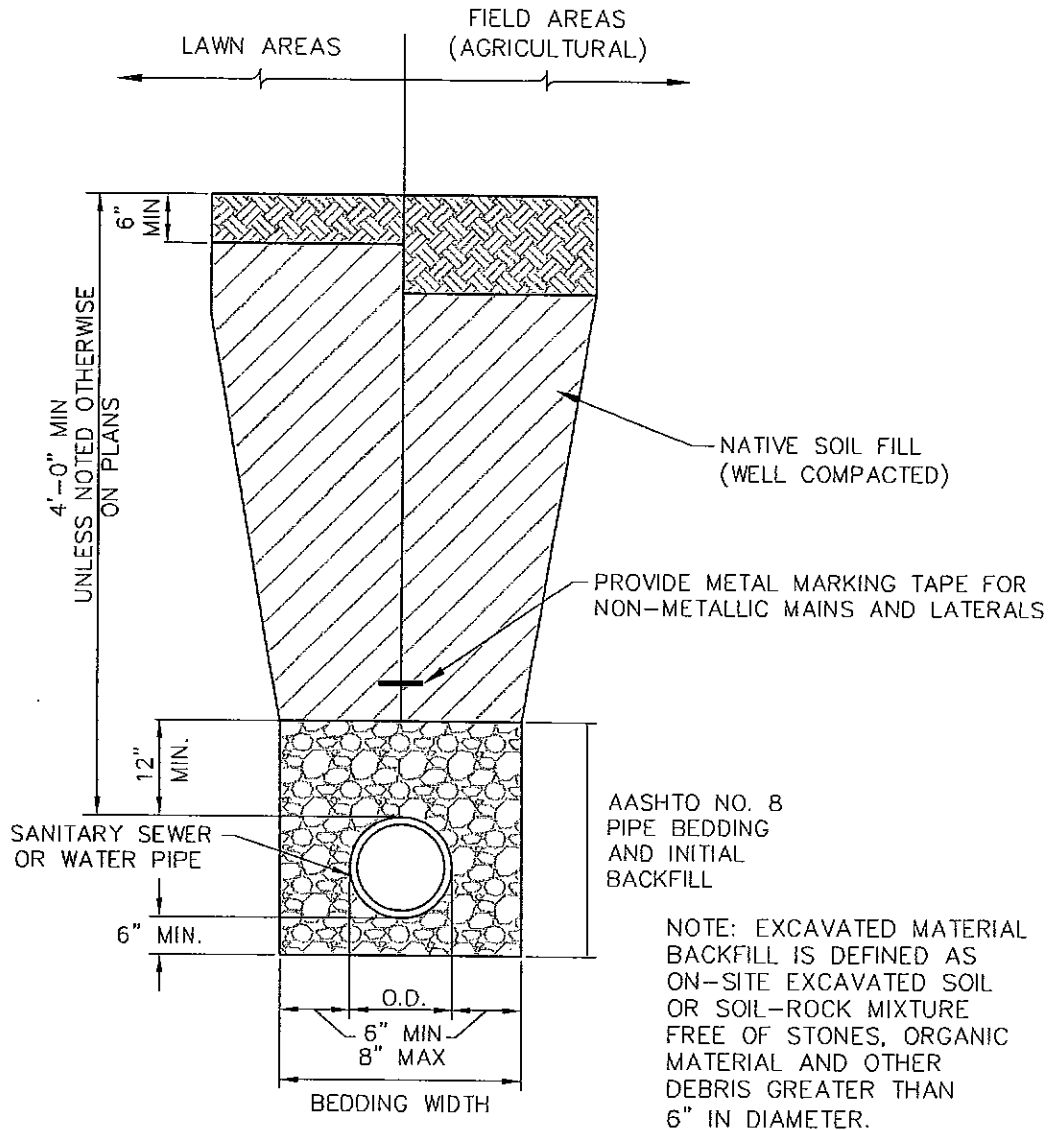


APPENDIX B - STANDARD DETAILS  
STANDARD COMMON DETAILS

<b>DETAIL NO.</b>	<b>DETAIL DESCRIPTION</b>
FSWA-C1	TRENCH RESTORATION DETAIL - LAWN & FIELD AREAS
FSWA-C2	TRENCH RESTORATION DETAIL - EXISTING PAVED AREAS
FSWA-C3	CONCRETE ENCASEMENT DETAIL
FSWA-C4	(RESERVED)
FSWA-C5	HIGHWAY BORING DETAIL
FSWA-C6	CASING CRADLE DETAIL
FSWA-C7	AIR RELEASE VALVE DETAIL



**TRENCH RESTORATION DETAIL**  
NOT TO SCALE

STANDARD DETAILS FOR SANITARY SEWER  
AND WATER SYSTEMS

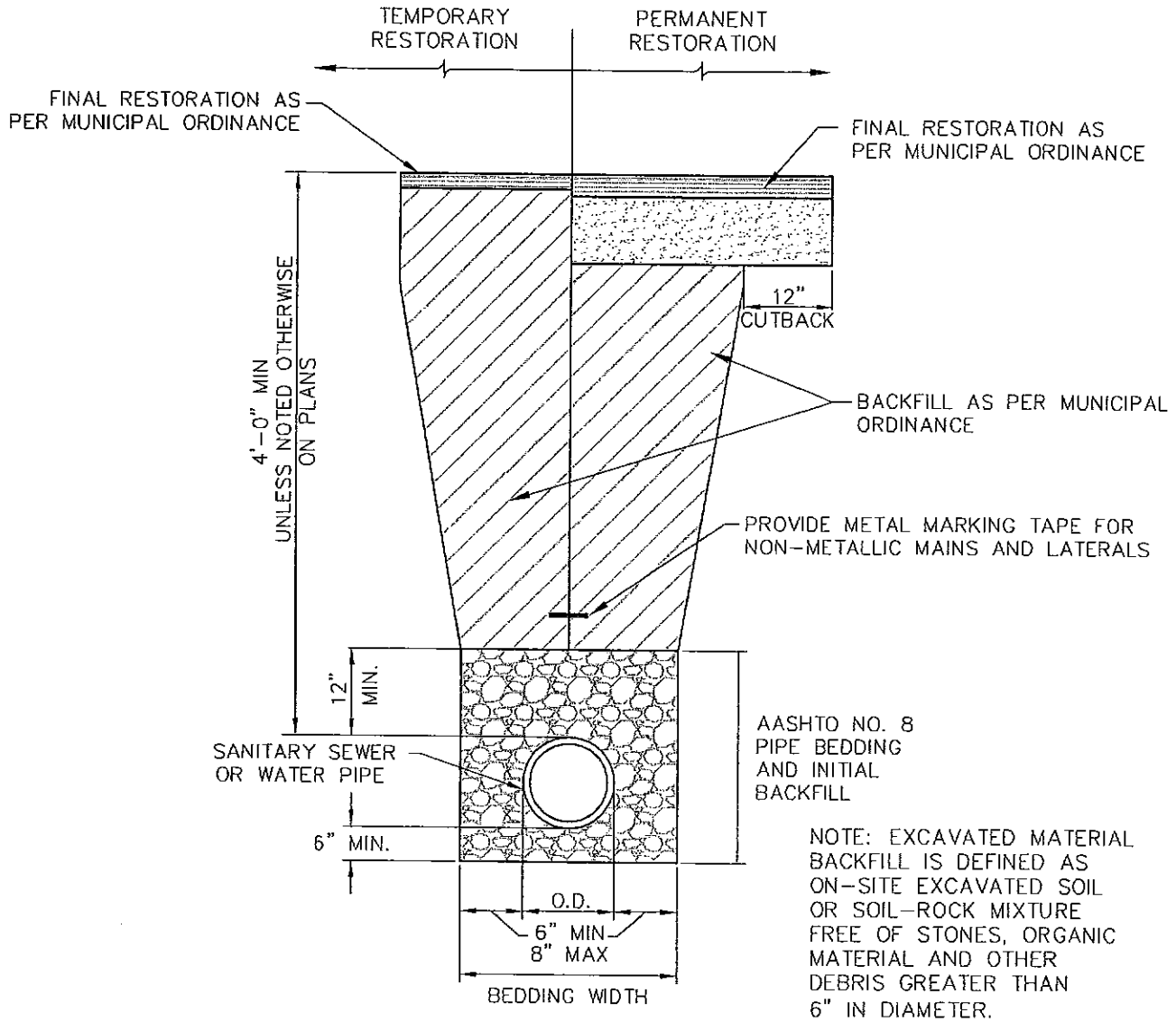
TRENCH RESTORATION DETAIL - LAWN & FIELD AREAS



STECKBECK ENGINEERING & SURVING INC  
279 N ZINNS MILL ROAD  
LEBANON, PA 17042  
P: (717) 272-7110 F: (717) 272-7348

DATE: OCTOBER 2008

DETAIL: FSWA - C1



**TRENCH RESTORATION DETAIL**  
NOT TO SCALE

STANDARD DETAILS FOR SANITARY SEWER  
AND WATER SYSTEMS

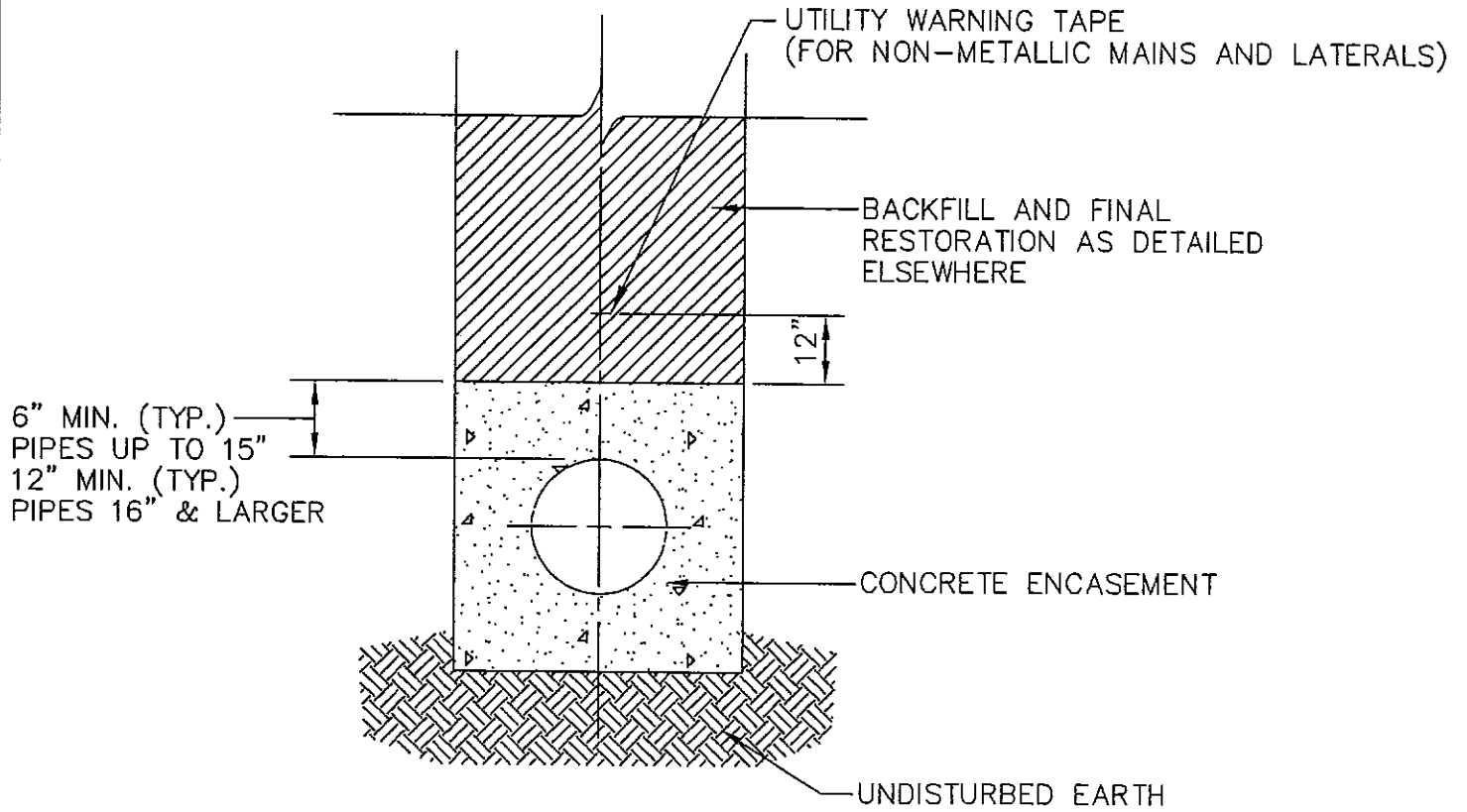
TRENCH RESTORATION DETAIL - PAVED AREAS



STECKBECK ENGINEERING & SURVING INC  
279 N ZINNS MILL ROAD  
LEBANON, PA 17042  
P: (717) 272-7110 F: (717) 272-7348

DATE: OCTOBER 2008

DETAIL: FSWA-C2



STANDARD DETAILS FOR SANITARY SEWER  
AND WATER SYSTEMS

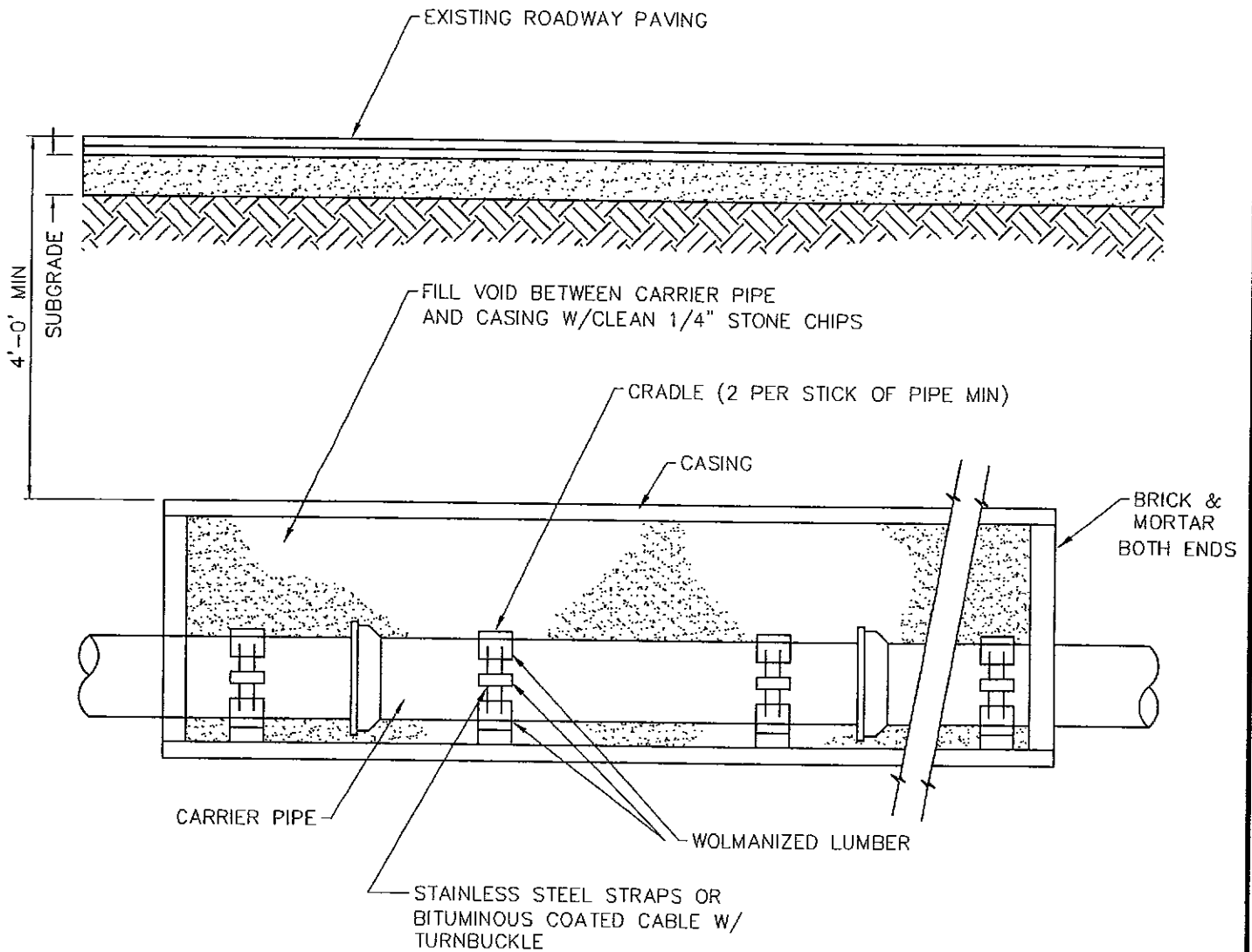
CONCRETE ENCASEMENT DETAIL



STECKBECK ENGINEERING & SURVING INC  
279 N ZINNS MILL ROAD  
LEBANON, PA 17042  
P: (717) 272-7110 F: (717) 272-7348

DATE: OCTOBER 2008

DETAIL: FSWA - C3



STANDARD DETAILS FOR SANITARY SEWER  
AND WATER SYSTEMS

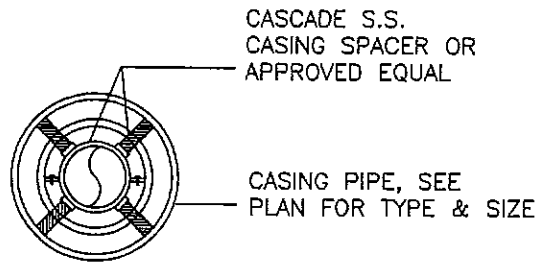
HIGHWAY BORING DETAIL



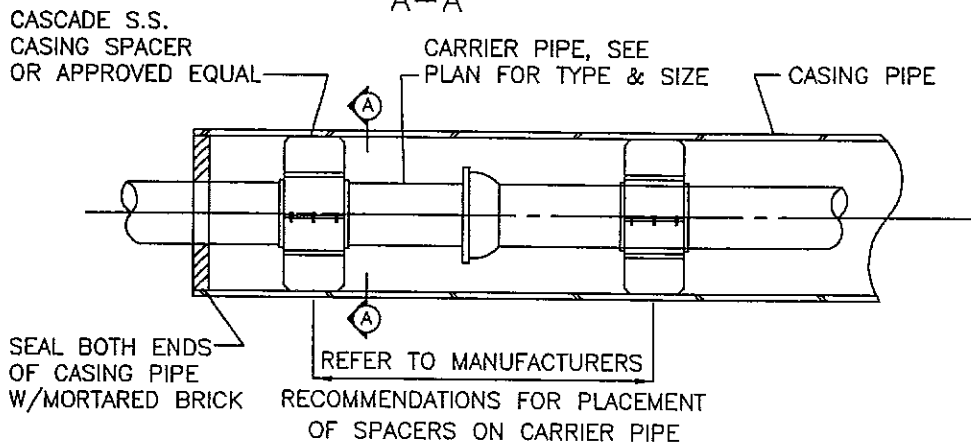
STECKBECK ENGINEERING & SURVING INC  
279 N ZINNS MILL ROAD  
LEBANON, PA 17042  
P: (717) 272-7110 F: (717) 272-7348

DATE: OCTOBER 2008

DETAIL: FSWA - C5



SECTION  
A-A



CASING CRADLE DETAIL  
NOT TO SCALE

STANDARD DETAILS FOR SANITARY SEWER  
AND WATER SYSTEMS

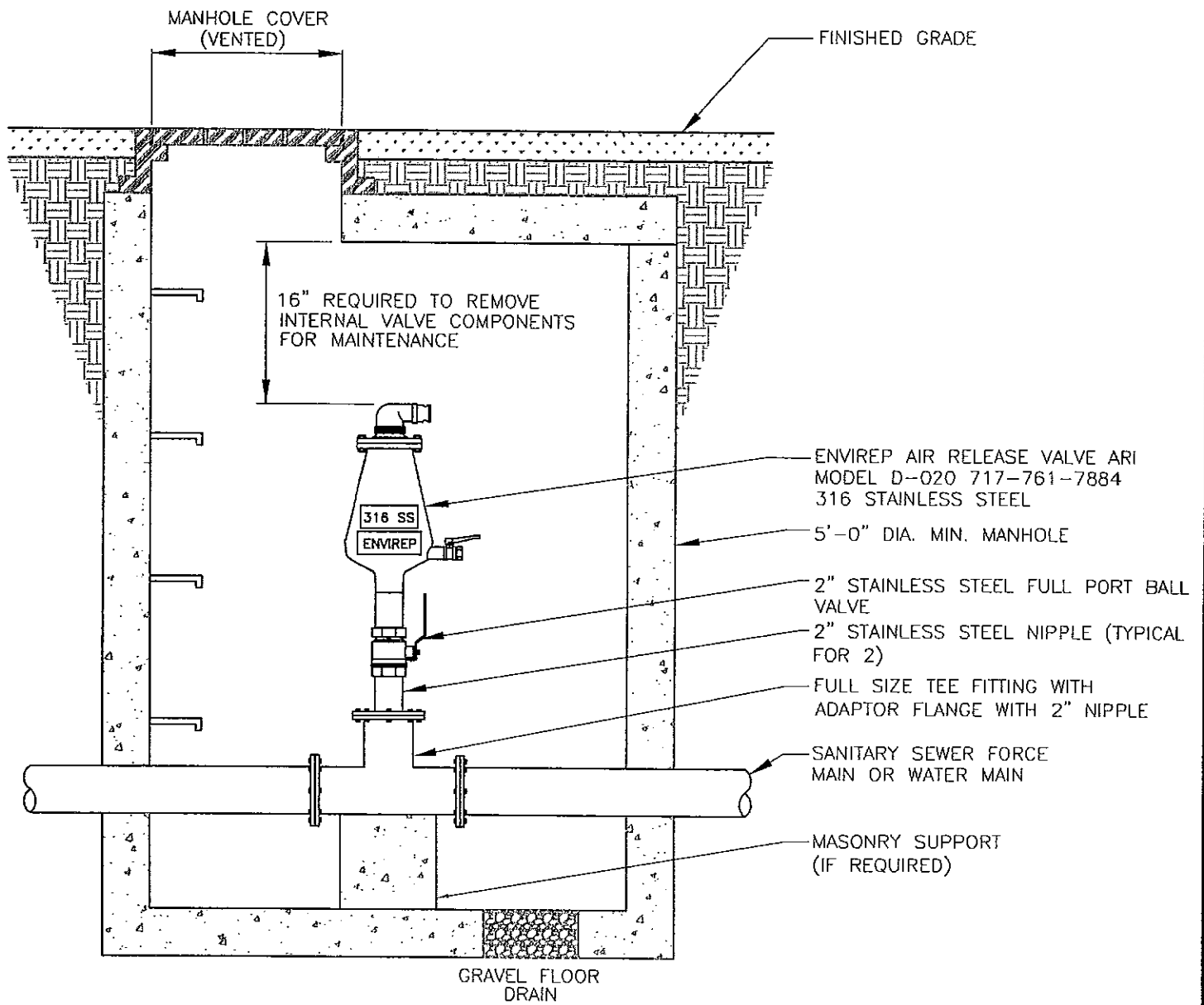
CASING CRADLE DETAIL



STECKBECK ENGINEERING & SURVING INC  
279 N ZINNS MILL ROAD  
LEBANON, PA 17042  
P: (717) 272-7110 F: (717) 272-7348

DATE: OCTOBER 2008

DETAIL: FSWA - C6



STANDARD DETAILS FOR SANITARY SEWER  
AND WATER SYSTEMS

AIR RELEASE VALVE DETAIL



STECKBECK ENGINEERING & SURVING INC  
279 N ZINNS MILL ROAD  
LEBANON, PA 17042  
P: (717) 272-7110 F: (717) 272-7348

DATE: NOVEMBER 2008

DETAIL: C7